



Ice Cream Freezer

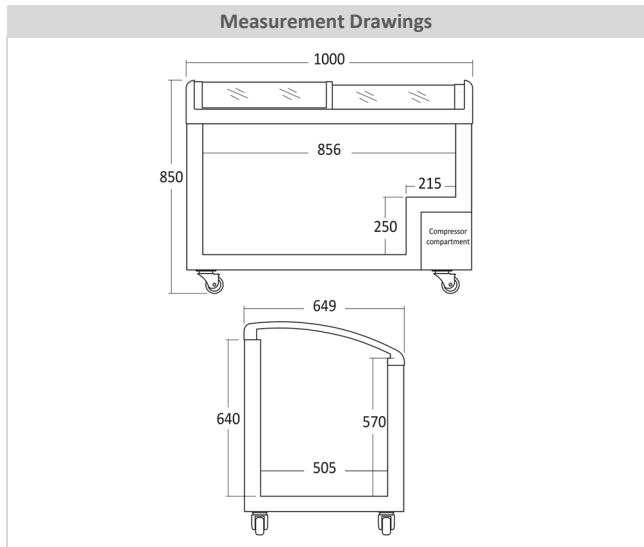
SD 306 E



	Energy efficiency class	Item number	23420306E10000	Taric goods code	84185011
	B	EAN code	5704704014565	QTY in 40HQ	98

Short Description

- #### Key features
- Curved sliding glass lids with lock
 - 4 strong baskets
 - Coated white steel inner liner
 - 4 strong castors
 - Suitable for branding



Dimensions and weight

Product dimensions, HxWxD, mm	850 x 1000 x 649
Packaging dimensions, HxWxD, mm	895 x 1080 x 730
Total packaging volume m3	0,706
Gross volume, L	255
Net volume, L	192
Gross- / Net volume, L	255 / 192
Internal dimensions, HxWxD, mm	640 x 856 x 505
Gross- / Net weight, kg	68 / 60

Performance and consumption

Energy efficiency class	E
Daily Energy Consumption, kWh/24	2,438
Annual energy cons. kWh/a	890
Energy Efficiency Index (EEI)	62,5
Noise level, dB(A)	70
Refrigeration / freezing technique	Static
Climate class	7
Type of refrigerant / gas gr.	R290a / 80
Temperature range °C	-18 / -24
Energy efficiency class	B

Installation and power

Voltage / hertz, V/hz	230 / 50
Watt / Ampere, W/A	280 / 1.5
Length of Powercord, cm	200

Design and comfort

Controller	Mechanical
Control panel	Outside
Digital display	No
Canopy light sign	No - available as spare part
Internal light	No light
External thermometer	Yes
Handle	Integrated
Number of castors, pcs	4 castors
Lock & Key	Yes

Colour and material

Inside Colour	White
Colour and material of door/lid	Sliding glass

Interior features

Number of Baskets (pcs)	4
Basket Size (HxWxD) (mm)	380 x 210 x 532
Basket Material	White wire