



Ice Cream Freezer

SD 155 E



Energy efficiency class

E

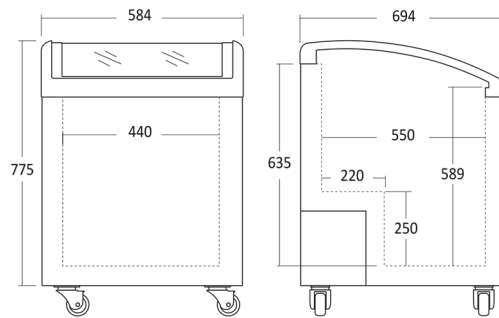
Item number	234201551E10000	Taric goods code	84185011
EAN code	5704704013315	QTY in 40HQ	169

Short Description

Key features

- Curved sliding glass lids
- 2 strong wire baskets
- 4 strong castors
- Suitable for branding
- Light sign sold separately
- Coated white steel inner liner

Measurement Drawings



Dimensions and weight

Product dimensions, HxWxD, mm	850 x 584 x 694
Packaging dimensions, HxWxD, mm	895 x 625 x 770
Total packaging volume m ³	0,431
Gross volume, L	137
Net volume, L	94
Gross- / Net volume, L	137 / 94
Internal dimensions, HxWxD, mm	589 x 440 x 550
Gross- / Net weight, kg	53 / 48

Performance and consumption

Energy efficiency class	E
Daily Energy Consumption, kWh/24	1,658
Annual energy cons. kWh/a	605
Energy Efficiency Index (EEI)	56,56
Refrigeration / freezing technique	Static
Climate class	7
Type of refrigerant / gas gr.	R290a / 58
Temperature range °C	-18 / -24

Installation and power

Voltage / hertz, V/hz	230 / 50
Watt / Ampere, W/A	200 / 1.5
Length of Powercord, cm	200

Design and comfort

Controller	Mechanical
Control panel	Outside
Digital display	No
Canopy light sign	No - available as spare part
Internal light	No light
External thermometer	Yes
Handle	Integrated
Number of castors, pcs	4 castors
Lock & Key	Yes

Colour and material

Inside Colour	White
Colour and material of door/lid	Sliding glass

Interior features

Number of Baskets (pcs)	2
Basket Size (HxWxD) (mm)	334x466x320, 334x466x215
Basket Material	White wire

scandomestic

Scandomestic A/S . Linåvej 20 . DK-8600 Silkeborg . Tel.: +45 7242 5571 . www.scandomestic.dk