



## Chest Freezer

## SB 552 XE



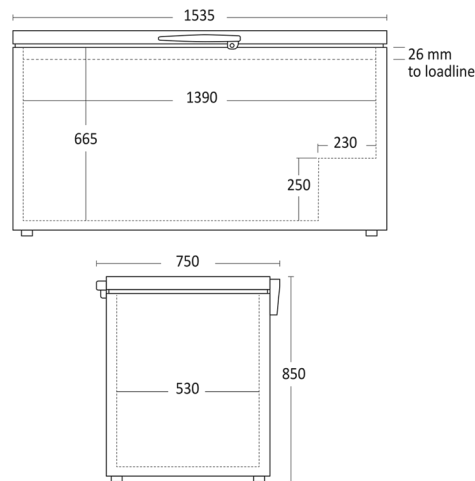
	Energy efficiency class	Item number	27120552XE10000	Taric goods code	84183080
	<b>F</b>	EAN code	5704704013919	QTY in 40HQ	65

### Short Description

#### Key features

- Can be placed in a dry environment at temperatures down to -15°C
- Stainless lid and LED light inside
- 4 strong wire baskets
- Handle with lock

#### Measurement Drawings



#### Dimensions and weight

Product dimensions, HxWxD, mm	850 x 1535 x 780
Packaging dimensions, HxWxD, mm	890 x 1580 x 780
Total packaging volume m3	1,097
Gross volume, L	459
Net volume, L	459
Internal dimensions, HxWxD, mm	665 x 1390 x 530
Built-In dimensions, HxWxD, mm	x x
Gross- / Net weight, kg	81 / 74

#### Performance and consumption

Energy efficiency class	F
Daily Energy Consumption, kWh/24	0,87
Annual energy cons. kWh/a	352
Energy Efficiency Index (EEI)	125
Noise level, dB(A)	50
Refrigeration / freezing technique	Static
Freezing capacity kg/24h	21
Superfreeze w/auto shut off	No
Temperature range °C	-8 / -18
Climate class	T
Temperature rise time (h)	53
Type of refrigerant / gas gr.	R600a / 110
Can be placed in a dry environment at temperatures down to -15°C	Yes

#### Installation and power

Voltage / hertz, V/hz	230 / 50
Length of Powercord, cm	180

#### Design and comfort

Control panel	Outside
Handle	Outside
External thermometer	Yes
Digital display	No
Internal light	1 Horizontal LED
Number of feet	4 adjustable
Reversible door	No
Self closing door	No
Controller	Mechanical

#### Colour and material

Outside colour	White
Colour and material of door/lid	Stainless steel solid

#### Interior features

Number of Baskets (pcs)	4
Basket Material	White wire
Basket Size (HxWxD) (mm)	248 x 245 x 573

# scandomestic

Scandomestic A/S . Linåvej 20 . DK-8600 Silkeborg . Tel.: +45 7242 5571 . www.scandomestic.dk