



Chest Freezer

SB 400 W



Energy efficiency class

F

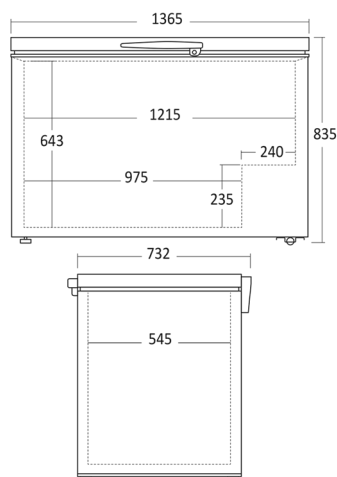
Item number	01120400W10000	Taric goods code	84183020
EAN code	5704704013377	QTY in 40HQ	74

Short Description

Key features

- Can be placed in a dry environment at temperatures down to -15°C
- 2 baskets included
- Digital controller and LED panel
- 4 wheels
- Key & lock

Measurement Drawings



Dimensions and weight

Product dimensions, HxWxD, mm	835 x 1365 x 730
Packaging dimensions, HxWxD, mm	885 x 1390 x 780
Total packaging volume m3	0,96
Gross volume, L	400
Net volume, L	400
Internal dimensions, HxWxD, mm	643 x 1215 x 545
Built-In dimensions, HxWxD, mm	x x
Gross- / Net weight, kg	58 / 53

Performance and consumption

Energy efficiency class	F
Daily Energy Consumption, kWh/24	0,811
Annual energy cons. kWh/a	329
Energy Efficiency Index (EEI)	125
Noise level, dB(A)	41
Refrigeration / freezing technique	Static
Freezing capacity kg/24h	18
Superfreeze w/auto shut off	No
Climate class	SN/N/ST/T
Temperature rise time (h)	38
Number of freezing stars	4
Type of refrigerant / gas gr.	R600a / 100
Can be placed in a dry environment at temperatures down to -15°C	Yes

Installation and power

Voltage / hertz, V/hz	230 / 50
Length of Powercord, cm	180

Design and comfort

Control panel	Outside
Handle	Outside
External thermometer	Yes
Digital display	Yes
Internal light	1 Horizontal LED
Number of castors, pcs	4 castors
Controller	Digital

Colour and material

Outside colour	White
Inside Colour	White
Colour and material of door/lid	White solid

Interior features

Number of Baskets (pcs)	2
Basket Material	Wire
Basket Size (HxWxD) (mm)	225 x 250 x 575

scandomestic

Scandomestic A/S . Linåvej 20 . DK-8600 Silkeborg . Tel.: +45 7242 5571 . www.scandomestic.dk