

Open Front Cooler

OFC 381 E



Dimensions and weight	
Product dimensions, HxWxD, mm	1520 x 1000 x 890
Packaging dimensions, HxWxD, mm	1700 x 1060 x 950
Total packaging volume m3	1,712
Gross volume, L	380
Net volume, L	273
Gross- / Net volume, L	380 / 273
Internal dimensions, HxWxD, mm	885 x 950 x 570
Gross- / Net weight, kg	129 / 107

Performance and consumption	
Energy efficiency class	G
Daily Energy Consumption, kWh/24	17,2
Annual energy cons. kWh/a	6260
Energy Efficiency Index (EEI)	89,3
Noise level, dB(A)	62
Refrigeration / freezing technique	Ventilated
Climate class	6
Type of refrigerant / gas gr.	R290a / 148
Temperature range °C	2 - 10

Installation and power	
Voltage / hertz, V/hz	230 / 50
Length of Powercord, cm	225

Design and comfort	
Controller	Digital
Control panel	Outside
Digital display	Yes
Canopy light sign	No
Internal light	4 Horizontal LED
External thermometer	No
Reversible door	No
Self closing door	No
Number of castors, pcs	4 castors (2 w/brake)
Lock & Key	No

Colour and material	
Inside Colour	Stainless Steel
Colour and material of door/lid	None
Edge trim on shelves / drawers	None

Interior features	
Number of Shelves	3
Adjustable shelves	Yes
Max loading per shelves, kg	20
Large shelves size WxD, mm	900 x 350
Small shelves size WxD, mm	900 x 250
Night curtain	Yes



Energy efficiency class

G

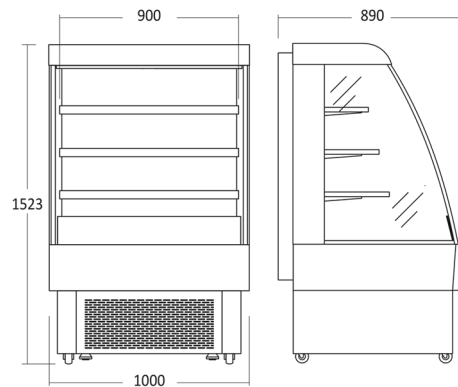
Item number	19310381E10000	Taric goods code	84185019
EAN code	5704704015876	QTY in 40HQ	24

Short Description

Key features

- Stylish curved front, glass sides, stainless cabinet
- Adjustable shelves with tilting function
- LED in top and under each shelf
- Night curtain
- Ventilated cooling 2-10°C

Measurement Drawings



scandomestic

Scandomestic A/S . Linåvej 20 . DK-8600 Silkeborg . Tel.: +45 7242 5571 . www.scandomestic.dk