



Chest Freezer

SB 452 XE



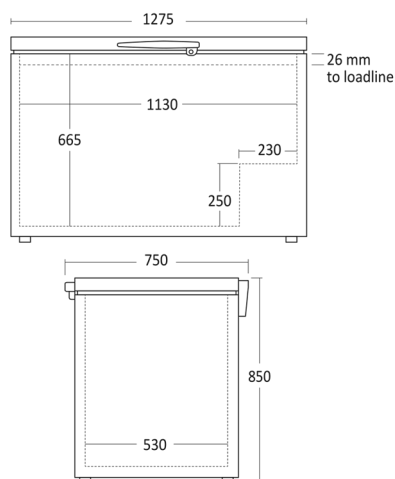
	Energy efficiency class	Item number	27120452XE10000	Taric goods code	84183020
	F	EAN code	5704704014022	QTY in 40HQ	80

Short Description

Key features

- Can be placed in a dry environment at temperatures down to -15°C
- Stainless lid and LED light inside
- 3 strong wire baskets
- Handle with lock

Measurement Drawings



Dimensions and weight

Product dimensions, HxWxD, mm	850 x 1275 x 750
Packaging dimensions, HxWxD, mm	890 x 1320 x 780
Total packaging volume m ³	0,916
Gross volume, L	368
Net volume, L	368
Internal dimensions, HxWxD, mm	672.5 x 1130 x 530
Built-In dimensions, HxWxD, mm	x x
Gross- / Net weight, kg	69 / 61

Performance and consumption

Energy efficiency class	F
Daily Energy Consumption, kWh/24	0,782
Annual energy cons. kWh/a	317
Energy Efficiency Index (EEI)	125
Noise level, dB(A)	50
Refrigeration / freezing technique	Static
Freezing capacity kg/24h	17
Superfreeze w/auto shut off	No
Temperature range °C	-8 / -18
Climate class	T
Temperature rise time (h)	51
Type of refrigerant / gas gr.	R600a / 93
Can be placed in a dry environment at temperatures down to -15°C	Yes

Installation and power

Voltage / hertz, V/hz	230 / 50
Length of Powercord, cm	180

Design and comfort

Control panel	Outside
Handle	Outside
Digital display	No
Internal light	1 Horizontal LED
Number of feet	4 adjustable
Reversible door	No
Controller	Mechanical

Colour and material

Outside colour	White
Colour and material of door/lid	Stainless steel solid

Interior features

Number of Baskets (pcs)	3
Basket Material	White wire
Basket Size (HxWxD) (mm)	248 x 24 5x 573

scandomestic

Scandomestic A/S . Linåvej 20 . DK-8600 Silkeborg . Tel.: +45 7242 5571 . www.scandomestic.dk