



Supermarket Freezer

XS 602 E



Energy efficiency class

D

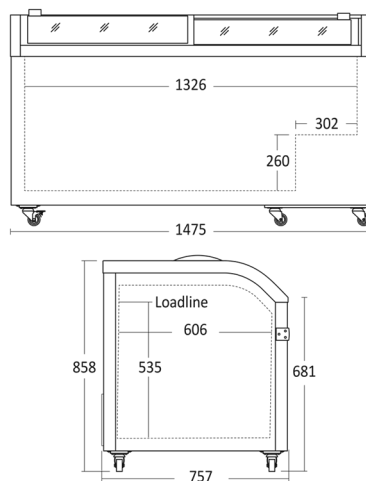
Item number	22420602110000	Taric goods code	84185011
EAN code	5704704012714	QTY in 40HQ	62

Short Description

Key features

- Large curved sliding glass lids with lock
- 5 strong wire baskets
- Coated white steel inner liner
- 6 strong castors
- Can both cool and freeze +8°C to -24°C
- Bumper bars

Measurement Drawings



Dimensions and weight

Product dimensions, HxWxD, mm	845 x 1475 x 757
Packaging dimensions, HxWxD, mm	920 x 1525 x 807
Total packaging volume m ³	1,132
Gross volume, L	500
Net volume, L	355
Gross- / Net volume, L	500 / 355
Internal dimensions, HxWxD, mm	606 x 1326 x 610
Gross- / Net weight, kg	95 / 80

Performance and consumption

Energy efficiency class	D
Daily Energy Consumption, kWh/24	5,8
Annual energy cons. kWh/a	2117
Energy Efficiency Index (EEI)	42,70
Noise level, dB(A)	55
Refrigeration / freezing technique	Static
Climate class	5
Type of refrigerant / gas gr.	R290a / 78
Temperature range °C	8 / -24

Installation and power

Voltage / hertz, V/hz	230 / 50
Watt / Ampere, W/A	350 / 2.5
Length of Powercord, cm	240

Design and comfort

Controller	Digital
Control panel	Outside
Digital display	Yes
Internal light	1 Vertical LED
External thermometer	Yes
Reversible door	No
Handle	Outside
Number of castors, pcs	6 castors
Lock & Key	Yes

Colour and material

Inside Colour	White
Colour and material of door/lid	Sliding glass

Interior features

Number of Baskets (pcs)	5
Basket Size (HxWxD) (mm)	530 x 253 x 346
Basket Material	White wire

scandomestic

Scandomestic A/S . Linåvej 20 . DK-8600 Silkeborg . Tel.: +45 7242 5571 . www.scandomestic.dk