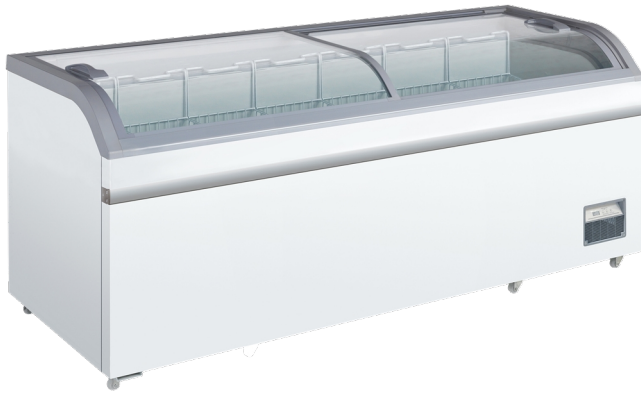




Supermarket Freezer

XS 802 E



Energy efficiency class

D

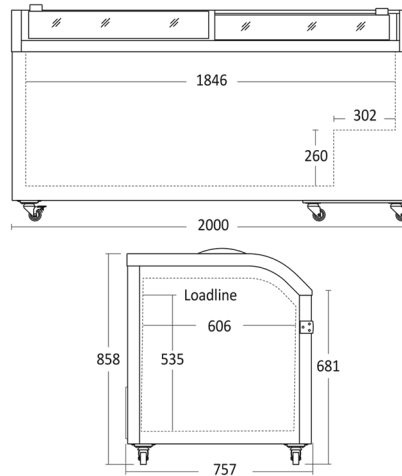
Item number	22420802E110000	Taric goods code	84185011
EAN code	5704704013483	QTY in 40HQ	28

Short Description

Key features

- Large curved sliding glass lids with lock
- 7 strong wire baskets
- Coated white steel inner liner
- 8 strong castors
- Can both cool and freeze +8°C to -24°C
- Bumper bars

Measurement Drawings



Dimensions and weight

Product dimensions, HxWxD, mm	845 x 2000 x 757
Packaging dimensions, HxWxD, mm	920 x 2095 x 807
Total packaging volume m3	1,555
Gross volume, L	700
Net volume, L	510
Gross- / Net volume, L	700 / 510
Internal dimensions, HxWxD, mm	610 x 1851 x 606
Gross- / Net weight, kg	140 / 120

Performance and consumption

Energy efficiency class	D
Daily Energy Consumption, kWh/24	6,8
Annual energy cons. kWh/a	2482
Energy Efficiency Index (EEI)	41,40
Noise level, dB(A)	56
Refrigeration / freezing technique	Static
Climate class	3
Type of refrigerant / gas gr.	R290a / 135
Temperature range °C	8 / -24
Energy efficiency class	D

Installation and power

Voltage / hertz, V/hz	230 / 50
Watt / Ampere, W/A	540 / 3.2
Length of Powercord, cm	240

Design and comfort

Controller	Digital
Control panel	Outside
Digital display	Yes
Internal light	1 Vertical LED
External thermometer	Yes
Reversible door	No
Door- / lid type	Sliding
Handle	Outside
Number of castors, pcs	6 castors
Lock & Key	Yes

Colour and material

Inside Colour	White
Colour and material of door/lid	Sliding glass

Interior features

Number of Baskets (pcs)	6
Basket Size (HxWxD) (mm)	346 x 287 x 630
Basket Material	White wire

scandomestic

Scandomestic A/S . Linåvej 20 . DK-8600 Silkeborg . Tel.: +45 7242 5571 . www.scandomestic.dk